

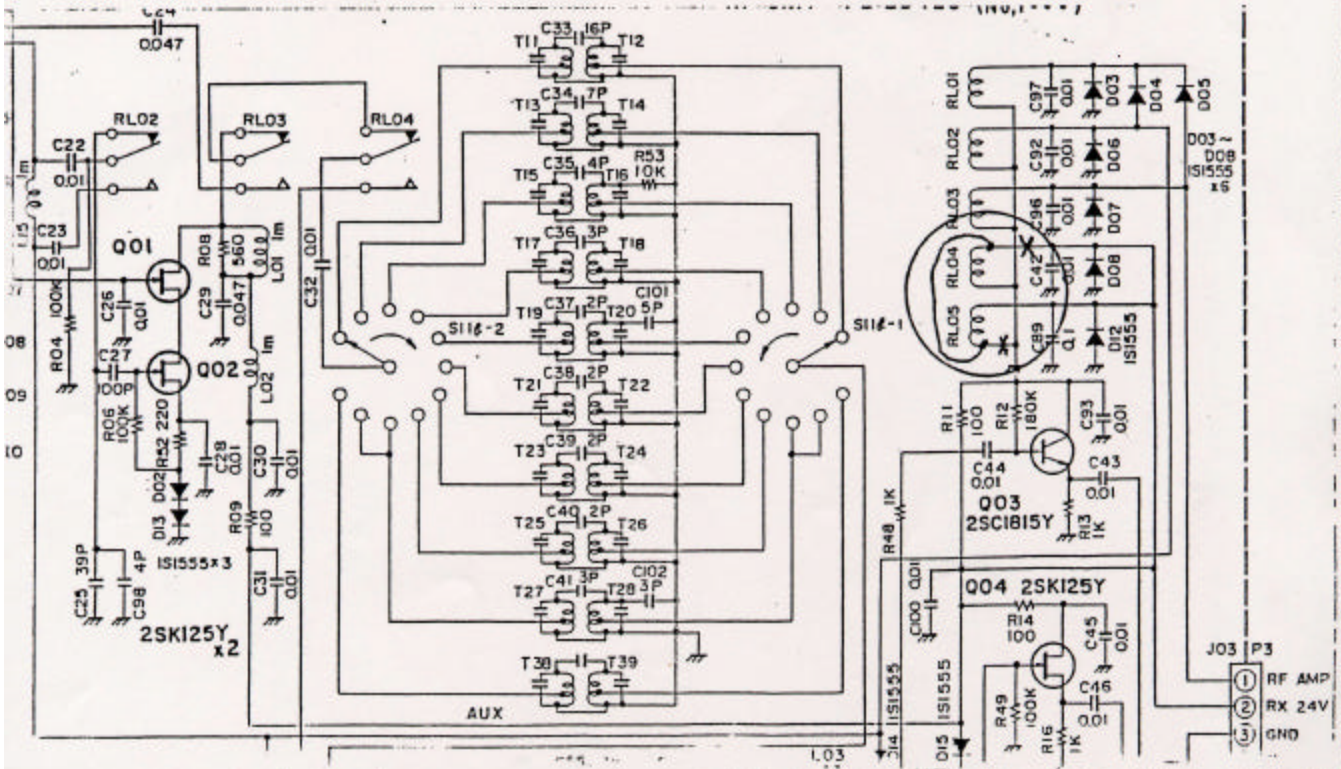
**FT-102 Modification**  
**Modification to improve the transceiver performance**

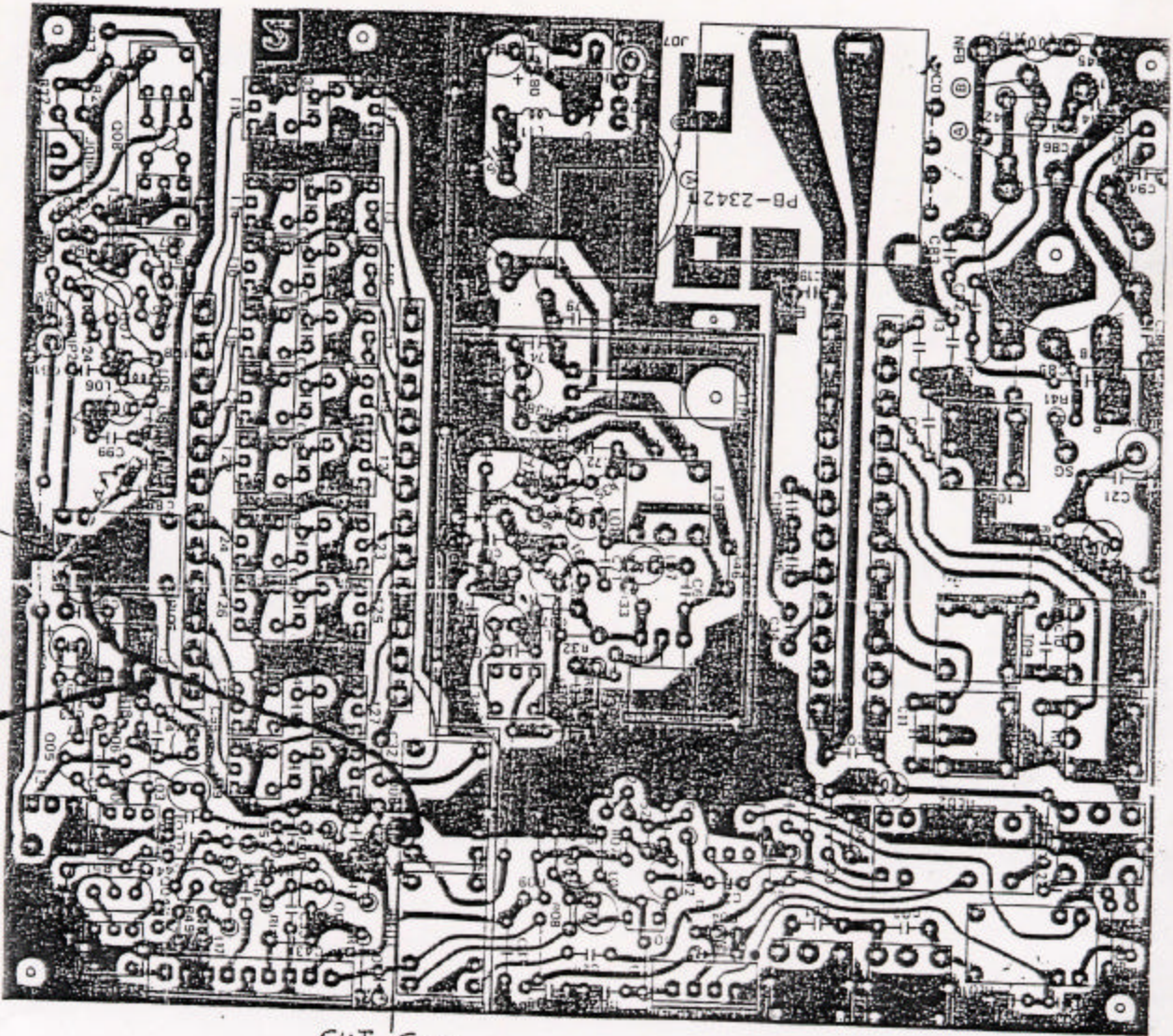
This modification will provide better switching on the transmit and receive functions.

1. Remove the top and bottom covers.
2. Remove the four (4) screws from the AF unit, also remove the shield cover.
3. Remove the defective relays from the RF unit.
4. Install new relays to the RF unit.
5. Referring to Figure-1, cut the foil and install the jumper wire.
6. Replace the shield cover, AF unit top cover and bottom cover. The modification is now completed.
7. See below for the required parts.

	OLD	NEW
RL01	M1190002	M1190096
RL02	M1190006	M1190006
RL03	M1190002	M1190096
RL04	M1190037	M1190096
RL05	M1190037	M1190096

*Replaced by:*  
M1190032  
OMRON G2E-182P-M  
\$3.00 each from Yarsu USA





CUT FOIL

ADD WIRE

CUT FOIL